

### Applications

Water purification and conditioning in commercial/industrial markets, with membrane based reverse osmosis systems. Reverse osmosis systems are found in several drinking water applications from restaurant food and beverage equipment to grocery store produce misting.

### Features

- Composite body valve
- 2-way, normally closed and normally open
- FasN™ connection system available in:  
Turn & Lock • NPT thread • Solvent bond
- Tested and certified by NSF International
- UL and CSA recognized coils
- Mountable in any position, upright preferred

### Construction

| Valve Parts in Contact with Fluids |                                     |
|------------------------------------|-------------------------------------|
| Body                               | Composite, Engineered Plastic (PPE) |
| Core Tube / Bonnet                 | Stainless Steel                     |
| Core and Plugnut                   | Stainless Steel                     |
| Springs                            | Stainless Steel                     |
| Seals and Disc                     | EPDM, TPE                           |
| Shading Coil                       | Copper                              |

### Electrical

| Connection Type   | Standard Coil and Class of Insulation | Watt Rating and Power consumption |          |      |      | Spare coil Family |        |
|---|---------------------------------------|-----------------------------------|----------|------|------|-------------------|--------|
|   |                                       | DC Watts                          | AC Watts |      | DC   | AC                |        |
| Normally Closed   |                                       |                                   |          |      |      |                   |        |
| Conduit   | F                                     | 6.9                               | 6.3      | 8.8  | 12.1 | 400117            | 400117 |
| Leaded  | F                                     | 6.9                               | 6.3      | 8.8  | 12.1 | 400117            | 400117 |
| DIN   | F                                     | 6.9                               | 6.3      | 8.8  | 12.1 | 400127            | 400127 |
| Normally Open   |                                       |                                   |          |      |      |                   |        |
| Conduit   | F                                     | 10                                | 11       | 15.5 | 19.4 | 400119            | 433763 |
| Leaded  | F                                     | 10                                | 11       | 15.5 | 19.4 | 400119            | 433763 |
| DIN   | F                                     | 10                                | 11       | 15.5 | 19.4 | 400129            | 433765 |
| <b>Standard Voltages:</b> AC: 24/60, 120/60, 240/60. DC: 12 and 24.<br>Must be specified when ordering, see <i>How to Order Chart</i> . |                                       |                                   |          |      |      |                   |        |

### Solenoid Enclosures

Conduit Hub

Open Frame (Leaded) 18" lead

DIN (11 mm Form B) – Watertight IP 65 when used with DIN connector kit for SC coils (*see kits below*).

### Kits

Female DIN connector kit for coils 226061-001-\*

1/2" NPT conduit hub kit for leaded coils 224735-001-\*

(Kits contains 10 pcs of each: connector, gasket, and attaching screw.)

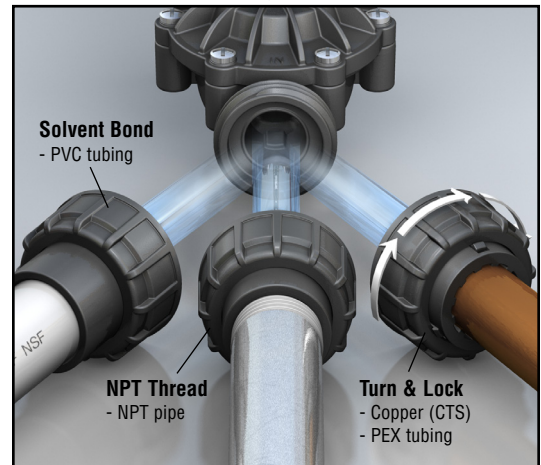
Mounting bracket kit = 297395-004

### Kits for end connection

| End Connection Type        | Kit Numbers |            |            |            |
|----------------------------|-------------|------------|------------|------------|
|                            | 3/8"        | 1/2"       | 3/4"       | 1"         |
| NPT Thread Connector kit   | M200339A00  | M200099A00 | M200102A00 | M200342A00 |
| Solvent Bond Connector kit | M200338A00  | M200100A00 | M200103A00 | M200341A00 |
| Turn & Lock Connector kit  | M200340A00  | M200101A00 | M200104A00 | M200343A00 |



**FasN Connection System** (See Ordering Page)



### Nominal Ambient Temp. Ranges

Normally Closed AC & DC, Normally Open DC:  
32°F to 120°F (0°C to 49°C)

Normally Open AC: 32°F to 100°F (0°C to 38°C)

### Approvals

UL recognized coil – File E153691\*

CSA certified coil – see CSA file No. 113111\*

Meets applicable CE directives.

Tested and certified by NSF International:

- NSF 61 Annex G: Drinking Water System Components
- NSF 169: Special Purpose Food Equipment and Devices
- NSF 42 : Drinking Water Treatment Units – Material and Structural Integrity Requirements
- NSF 372: Drinking Water System Components – Lead Content Certification

The NSF Certification Program is accredited by the Standards Council of Canada and ANSI.

\*For UL & CSA approvals on NO AC coils, please consult ASCO.

## Specifications (English units)

| Pipe Size (in)   | Orifice Size (in) | FasN End Connections System | Cv Flow Factor | Operating Pressure Differential (psi) |               |       |                     |               |       |                     | Max. Fluid Temp. °F<br>① | Catalog Number | Wattage |     |
|--|-------------------|-----------------------------|----------------|---------------------------------------|---------------|-------|---------------------|---------------|-------|---------------------|--------------------------|----------------|---------|-----|
|  |                   |                             |                | Min                                   | Max. AC       |       |                     | Max. DC       |       |                     |                          |                | AC      | DC  |
|  |                   |                             |                |                                       | Air-Inert Gas | Water | Light Oil @ 300 SSU | Air-Inert Gas | Water | Light Oil @ 300 SSU |                          |                |         |     |
| <b>DRINKING WATER VERSION: NSF 61 ANNEX G, 169, 42</b> |                   |                             |                |                                       |               |       |                     |               |       |                     |                          |                |         |     |
| <b>General Service - Normally Closed</b>               |                   |                             |                |                                       |               |       |                     |               |       |                     |                          |                |         |     |
| 3/8  | 5/8               | NPT thread / NPT thread     | 3              | 5                                     | -             | 150   | -                   | -             | 150   | -                   | 180                      | 8212A001       | 6.3     | 6.9 |
| 3/8  | 5/8               | NPT thread / Solvent Bond   | 3              | 5                                     | -             | 150   | -                   | -             | 150   | -                   | 73*                      | 8212A003       | 6.3     | 6.9 |
| 3/8  | 5/8               | NPT thread / Turn & Lock    | 3              | 5                                     | -             | 150   | -                   | -             | 150   | -                   | 180                      | 8212A005       | 6.3     | 6.9 |
| 3/8  | 5/8               | Turn & Lock / Turn & Lock   | 3              | 5                                     | -             | 150   | -                   | -             | 150   | -                   | 180                      | K212A007       | 6.3     | 6.9 |
| 3/8  | 5/8               | Turn & Lock / Solvent bond  | 3              | 5                                     | -             | 150   | -                   | -             | 150   | -                   | 73*                      | K212A009       | 6.3     | 6.9 |
| 3/8  | 5/8               | Solvent bond / Solvent bond | 3              | 5                                     | -             | 150   | -                   | -             | 150   | -                   | 73*                      | W212A011       | 6.3     | 6.9 |
| 1/2  | 3/4               | NPT thread / NPT thread     | 4.5            | 5                                     | -             | 150   | -                   | -             | 150   | -                   | 180                      | 8212A019       | 6.3     | 6.9 |
| 1/2  | 3/4               | NPT thread / Solvent Bond   | 4.5            | 5                                     | -             | 150   | -                   | -             | 150   | -                   | 73*                      | 8212A021       | 6.3     | 6.9 |
| 1/2  | 3/4               | NPT thread / Turn & Lock    | 4.5            | 5                                     | -             | 150   | -                   | -             | 150   | -                   | 180                      | 8212A023       | 6.3     | 6.9 |
| 1/2  | 3/4               | Turn & Lock / Turn & Lock   | 4.5            | 5                                     | -             | 150   | -                   | -             | 150   | -                   | 180                      | K212A025       | 6.3     | 6.9 |
| 1/2  | 3/4               | Turn & Lock / Solvent bond  | 4.5            | 5                                     | -             | 150   | -                   | -             | 150   | -                   | 73*                      | K212A027       | 6.3     | 6.9 |
| 1/2  | 3/4               | Solvent bond / Solvent bond | 4.5            | 5                                     | -             | 150   | -                   | -             | 150   | -                   | 73*                      | W212A029       | 6.3     | 6.9 |
| 3/4  | 3/4               | NPT thread / NPT thread     | 7              | 5                                     | -             | 150   | -                   | -             | 150   | -                   | 180                      | 8212A037       | 6.3     | 6.9 |
| 3/4  | 3/4               | NPT thread / Solvent Bond   | 7              | 5                                     | -             | 150   | -                   | -             | 150   | -                   | 73*                      | 8212A039       | 6.3     | 6.9 |
| 3/4  | 3/4               | NPT thread / Turn & Lock    | 7              | 5                                     | -             | 150   | -                   | -             | 150   | -                   | 180                      | 8212A041       | 6.3     | 6.9 |
| 3/4  | 3/4               | Turn & Lock / Turn & Lock   | 7              | 5                                     | -             | 150   | -                   | -             | 150   | -                   | 180                      | K212A043       | 6.3     | 6.9 |
| 3/4  | 3/4               | Turn & Lock / Solvent bond  | 7              | 5                                     | -             | 150   | -                   | -             | 150   | -                   | 73*                      | K212A045       | 6.3     | 6.9 |
| 3/4  | 3/4               | Solvent bond / Solvent bond | 7              | 5                                     | -             | 150   | -                   | -             | 150   | -                   | 73*                      | W212A047       | 6.3     | 6.9 |
| 1  | 1                 | NPT thread / NPT thread     | 13             | 5                                     | -             | 150   | -                   | -             | 150   | -                   | 122                      | 8212A055       | 6.3     | 6.9 |
| 1  | 1                 | NPT thread / Solvent Bond   | 13             | 5                                     | -             | 150   | -                   | -             | 150   | -                   | 73*                      | 8212A057       | 6.3     | 6.9 |
| 1  | 1                 | NPT thread / Turn & Lock    | 13             | 5                                     | -             | 150   | -                   | -             | 150   | -                   | 122                      | 8212A059       | 6.3     | 6.9 |
| 1  | 1                 | Turn & Lock / Turn & Lock   | 13             | 5                                     | -             | 150   | -                   | -             | 150   | -                   | 122                      | K212A061       | 6.3     | 6.9 |
| 1  | 1                 | Turn & Lock / Solvent bond  | 13             | 5                                     | -             | 150   | -                   | -             | 150   | -                   | 73*                      | K212A063       | 6.3     | 6.9 |
| 1  | 1                 | Solvent bond / Solvent bond | 13             | 5                                     | -             | 150   | -                   | -             | 150   | -                   | 73*                      | W212A065       | 6.3     | 6.9 |
| <b>General Service - Normally Open</b>                 |                   |                             |                |                                       |               |       |                     |               |       |                     |                          |                |         |     |
| 3/8  | 5/8               | NPT thread / NPT thread     | 3              | 5                                     | -             | 120   | -                   | -             | 90    | -                   | 180                      | 8212A002       | 11      | 10  |
| 3/8  | 5/8               | NPT thread / Solvent Bond   | 3              | 5                                     | -             | 120   | -                   | -             | 90    | -                   | 73*                      | 8212A004       | 11      | 10  |
| 3/8  | 5/8               | NPT thread / Turn & Lock    | 3              | 5                                     | -             | 120   | -                   | -             | 90    | -                   | 180                      | 8212A006       | 11      | 10  |
| 3/8  | 5/8               | Turn & Lock / Turn & Lock   | 3              | 5                                     | -             | 120   | -                   | -             | 90    | -                   | 180                      | K212A008       | 11      | 10  |
| 3/8  | 5/8               | Turn & Lock / Solvent bond  | 3              | 5                                     | -             | 120   | -                   | -             | 90    | -                   | 73*                      | K212A010       | 11      | 10  |
| 3/8  | 5/8               | Solvent bond / Solvent bond | 3              | 5                                     | -             | 120   | -                   | -             | 90    | -                   | 73*                      | W212A012       | 11      | 10  |
| 1/2  | 3/4               | NPT thread / NPT thread     | 4.5            | 5                                     | -             | 120   | -                   | -             | 90    | -                   | 180                      | 8212A020       | 11      | 10  |
| 1/2  | 3/4               | NPT thread / Solvent Bond   | 4.5            | 5                                     | -             | 120   | -                   | -             | 90    | -                   | 73*                      | 8212A022       | 11      | 10  |
| 1/2  | 3/4               | NPT thread / Turn & Lock    | 4.5            | 5                                     | -             | 120   | -                   | -             | 90    | -                   | 180                      | 8212A024       | 11      | 10  |
| 1/2  | 3/4               | Turn & Lock / Turn & Lock   | 4.5            | 5                                     | -             | 120   | -                   | -             | 90    | -                   | 180                      | K212A026       | 11      | 10  |
| 1/2  | 3/4               | Turn & Lock / Solvent bond  | 4.5            | 5                                     | -             | 120   | -                   | -             | 90    | -                   | 73*                      | K212A028       | 11      | 10  |
| 1/2  | 3/4               | Solvent bond / Solvent bond | 4.5            | 5                                     | -             | 120   | -                   | -             | 90    | -                   | 73*                      | W212A030       | 11      | 10  |
| 3/4  | 3/4               | NPT thread / NPT thread     | 7              | 5                                     | -             | 120   | -                   | -             | 90    | -                   | 180                      | 8212A038       | 11      | 10  |
| 3/4  | 3/4               | NPT thread / Solvent Bond   | 7              | 5                                     | -             | 120   | -                   | -             | 90    | -                   | 73*                      | 8212A040       | 11      | 10  |
| 3/4  | 3/4               | NPT thread / Turn & Lock    | 7              | 5                                     | -             | 120   | -                   | -             | 90    | -                   | 180                      | 8212A042       | 11      | 10  |
| 3/4  | 3/4               | Turn & Lock / Turn & Lock   | 7              | 5                                     | -             | 120   | -                   | -             | 90    | -                   | 180                      | K212A044       | 11      | 10  |
| 3/4  | 3/4               | Turn & Lock / Solvent bond  | 7              | 5                                     | -             | 120   | -                   | -             | 90    | -                   | 73*                      | K212A046       | 11      | 10  |
| 3/4  | 3/4               | Solvent bond / Solvent bond | 7              | 5                                     | -             | 120   | -                   | -             | 90    | -                   | 73*                      | W212A048       | 11      | 10  |
| 1  | 1                 | NPT thread / NPT thread     | 13             | 5                                     | -             | 120   | -                   | -             | 90    | -                   | 122                      | 8212A056       | 11      | 10  |
| 1  | 1                 | NPT thread / Solvent Bond   | 13             | 5                                     | -             | 120   | -                   | -             | 90    | -                   | 73*                      | 8212A058       | 11      | 10  |
| 1  | 1                 | NPT thread / Turn & Lock    | 13             | 5                                     | -             | 120   | -                   | -             | 90    | -                   | 122                      | 8212A060       | 11      | 10  |
| 1  | 1                 | Turn & Lock / Turn & Lock   | 13             | 5                                     | -             | 120   | -                   | -             | 90    | -                   | 122                      | K212A062       | 11      | 10  |
| 1  | 1                 | Turn & Lock / Solvent bond  | 13             | 5                                     | -             | 120   | -                   | -             | 90    | -                   | 73*                      | K212A064       | 11      | 10  |
| 1  | 1                 | Solvent bond / Solvent bond | 13             | 5                                     | -             | 120   | -                   | -             | 90    | -                   | 73*                      | W212A066       | 11      | 10  |

① Prevent from freezing. \*Limitation on fluid temperature for PVC tubing for NSF 61-G is 73°F and for NSF 372 is 122°F

## Specifications (English units)

| Pipe Size (in)  | Orifice Size (in) | FasN End Connections System | Cv Flow Factor | Operating Pressure Differential (psi) |               |       |                     |               |       |                     | Max. Fluid Temp. °F <sup>①</sup> | Catalog Number | Wattage |     |
|---|-------------------|-----------------------------|----------------|---------------------------------------|---------------|-------|---------------------|---------------|-------|---------------------|----------------------------------|----------------|---------|-----|
|   |                   |                             |                | Min                                   | Max. AC       |       |                     | Max. DC       |       |                     |                                  |                | AC      | DC  |
|   |                   |                             |                |                                       | Air-Inert Gas | Water | Light Oil @ 300 SSU | Air-Inert Gas | Water | Light Oil @ 300 SSU |                                  |                |         |     |
| <b>LEAD FREE VERSION - NSF 372 Lead content certification</b> |                   |                             |                |                                       |               |       |                     |               |       |                     |                                  |                |         |     |
| <b>General Service - Normally Closed</b>                      |                   |                             |                |                                       |               |       |                     |               |       |                     |                                  |                |         |     |
| 3/8   | 5/8               | NPT thread / NPT thread     | 3              | 5                                     | -             | 150   | -                   | -             | 150   | -                   | 180                              | 8212A501       | 6.3     | 6.9 |
| 3/8   | 5/8               | NPT thread / Solvent Bond   | 3              | 5                                     | -             | 150   | -                   | -             | 150   | -                   | 122*                             | 8212A503       | 6.3     | 6.9 |
| 3/8   | 5/8               | NPT thread / Turn & Lock    | 3              | 5                                     | -             | 150   | -                   | -             | 150   | -                   | 180                              | 8212A505       | 6.3     | 6.9 |
| 3/8   | 5/8               | Turn & Lock / Turn & Lock   | 3              | 5                                     | -             | 150   | -                   | -             | 150   | -                   | 180                              | K212A507       | 6.3     | 6.9 |
| 3/8   | 5/8               | Turn & Lock / Solvent bond  | 3              | 5                                     | -             | 150   | -                   | -             | 150   | -                   | 122*                             | K212A509       | 6.3     | 6.9 |
| 3/8   | 5/8               | Solvent bond / Solvent bond | 3              | 5                                     | -             | 150   | -                   | -             | 150   | -                   | 122*                             | W212A511       | 6.3     | 6.9 |
| 1/2   | 3/4               | NPT thread / NPT thread     | 4.5            | 5                                     | -             | 150   | -                   | -             | 150   | -                   | 180                              | 8212A519       | 6.3     | 6.9 |
| 1/2   | 3/4               | NPT thread / Solvent Bond   | 4.5            | 5                                     | -             | 150   | -                   | -             | 150   | -                   | 122*                             | 8212A521       | 6.3     | 6.9 |
| 1/2   | 3/4               | NPT thread / Turn & Lock    | 4.5            | 5                                     | -             | 150   | -                   | -             | 150   | -                   | 180                              | 8212A523       | 6.3     | 6.9 |
| 1/2   | 3/4               | Turn & Lock / Turn & Lock   | 4.5            | 5                                     | -             | 150   | -                   | -             | 150   | -                   | 180                              | K212A525       | 6.3     | 6.9 |
| 1/2   | 3/4               | Turn & Lock / Solvent bond  | 4.5            | 5                                     | -             | 150   | -                   | -             | 150   | -                   | 122*                             | K212A527       | 6.3     | 6.9 |
| 1/2   | 3/4               | Solvent bond / Solvent bond | 4.5            | 5                                     | -             | 150   | -                   | -             | 150   | -                   | 122*                             | W212A529       | 6.3     | 6.9 |
| 3/4   | 3/4               | NPT thread / NPT thread     | 7              | 5                                     | -             | 150   | -                   | -             | 150   | -                   | 180                              | 8212A537       | 6.3     | 6.9 |
| 3/4   | 3/4               | NPT thread / Solvent Bond   | 7              | 5                                     | -             | 150   | -                   | -             | 150   | -                   | 122*                             | 8212A539       | 6.3     | 6.9 |
| 3/4   | 3/4               | NPT thread / Turn & Lock    | 7              | 5                                     | -             | 150   | -                   | -             | 150   | -                   | 180                              | 8212A541       | 6.3     | 6.9 |
| 3/4   | 3/4               | Turn & Lock / Turn & Lock   | 7              | 5                                     | -             | 150   | -                   | -             | 150   | -                   | 180                              | K212A543       | 6.3     | 6.9 |
| 3/4   | 3/4               | Turn & Lock / Solvent bond  | 7              | 5                                     | -             | 150   | -                   | -             | 150   | -                   | 122*                             | K212A545       | 6.3     | 6.9 |
| 3/4   | 3/4               | Solvent bond / Solvent bond | 7              | 5                                     | -             | 150   | -                   | -             | 150   | -                   | 122*                             | W212A547       | 6.3     | 6.9 |
| 1   | 1                 | NPT thread / NPT thread     | 13             | 5                                     | -             | 150   | -                   | -             | 150   | -                   | 122                              | 8212A555       | 6.3     | 6.9 |
| 1   | 1                 | NPT thread / Solvent Bond   | 13             | 5                                     | -             | 150   | -                   | -             | 150   | -                   | 122*                             | 8212A557       | 6.3     | 6.9 |
| 1   | 1                 | NPT thread / Turn & Lock    | 13             | 5                                     | -             | 150   | -                   | -             | 150   | -                   | 122                              | 8212A559       | 6.3     | 6.9 |
| 1   | 1                 | Turn & Lock / Turn & Lock   | 13             | 5                                     | -             | 150   | -                   | -             | 150   | -                   | 122                              | K212A561       | 6.3     | 6.9 |
| 1   | 1                 | Turn & Lock / Solvent bond  | 13             | 5                                     | -             | 150   | -                   | -             | 150   | -                   | 122*                             | K212A563       | 6.3     | 6.9 |
| 1   | 1                 | Solvent bond / Solvent bond | 13             | 5                                     | -             | 150   | -                   | -             | 150   | -                   | 122*                             | W212A565       | 6.3     | 6.9 |
| <b>General Service - Normally Open</b>                        |                   |                             |                |                                       |               |       |                     |               |       |                     |                                  |                |         |     |
| 3/8   | 5/8               | NPT thread / NPT thread     | 3              | 5                                     | -             | 120   | -                   | -             | 90    | -                   | 180                              | 8212A502       | 11      | 10  |
| 3/8   | 5/8               | NPT thread / Solvent Bond   | 3              | 5                                     | -             | 120   | -                   | -             | 90    | -                   | 122*                             | 8212A504       | 11      | 10  |
| 3/8   | 5/8               | NPT thread / Turn & Lock    | 3              | 5                                     | -             | 120   | -                   | -             | 90    | -                   | 180                              | 8212A506       | 11      | 10  |
| 3/8   | 5/8               | Turn & Lock / Turn & Lock   | 3              | 5                                     | -             | 120   | -                   | -             | 90    | -                   | 180                              | K212A508       | 11      | 10  |
| 3/8   | 5/8               | Turn & Lock / Solvent bond  | 3              | 5                                     | -             | 120   | -                   | -             | 90    | -                   | 122*                             | K212A510       | 11      | 10  |
| 3/8   | 5/8               | Solvent bond / Solvent bond | 3              | 5                                     | -             | 120   | -                   | -             | 90    | -                   | 122*                             | W212A512       | 11      | 10  |
| 1/2   | 3/4               | NPT thread / NPT thread     | 4.5            | 5                                     | -             | 120   | -                   | -             | 90    | -                   | 180                              | 8212A520       | 11      | 10  |
| 1/2   | 3/4               | NPT thread / Solvent Bond   | 4.5            | 5                                     | -             | 120   | -                   | -             | 90    | -                   | 122*                             | 8212A522       | 11      | 10  |
| 1/2   | 3/4               | NPT thread / Turn & Lock    | 4.5            | 5                                     | -             | 120   | -                   | -             | 90    | -                   | 180                              | 8212A524       | 11      | 10  |
| 1/2   | 3/4               | Turn & Lock / Turn & Lock   | 4.5            | 5                                     | -             | 120   | -                   | -             | 90    | -                   | 180                              | K212A526       | 11      | 10  |
| 1/2   | 3/4               | Turn & Lock / Solvent bond  | 4.5            | 5                                     | -             | 120   | -                   | -             | 90    | -                   | 122*                             | K212A528       | 11      | 10  |
| 1/2   | 3/4               | Solvent bond / Solvent bond | 4.5            | 5                                     | -             | 120   | -                   | -             | 90    | -                   | 122*                             | W212A530       | 11      | 10  |
| 3/4   | 3/4               | NPT thread / NPT thread     | 7              | 5                                     | -             | 120   | -                   | -             | 90    | -                   | 180                              | 8212A538       | 11      | 10  |
| 3/4   | 3/4               | NPT thread / Solvent Bond   | 7              | 5                                     | -             | 120   | -                   | -             | 90    | -                   | 122*                             | 8212A540       | 11      | 10  |
| 3/4   | 3/4               | NPT thread / Turn & Lock    | 7              | 5                                     | -             | 120   | -                   | -             | 90    | -                   | 180                              | 8212A542       | 11      | 10  |
| 3/4   | 3/4               | Turn & Lock / Turn & Lock   | 7              | 5                                     | -             | 120   | -                   | -             | 90    | -                   | 180                              | K212A544       | 11      | 10  |
| 3/4   | 3/4               | Turn & Lock / Solvent bond  | 7              | 5                                     | -             | 120   | -                   | -             | 90    | -                   | 122*                             | K212A546       | 11      | 10  |
| 3/4   | 3/4               | Solvent bond / Solvent bond | 7              | 5                                     | -             | 120   | -                   | -             | 90    | -                   | 122*                             | W212A548       | 11      | 10  |
| 1   | 1                 | NPT thread / NPT thread     | 13             | 5                                     | -             | 120   | -                   | -             | 90    | -                   | 122                              | 8212A556       | 11      | 10  |
| 1   | 1                 | NPT thread / Solvent Bond   | 13             | 5                                     | -             | 120   | -                   | -             | 90    | -                   | 122*                             | 8212A558       | 11      | 10  |
| 1   | 1                 | NPT thread / Turn & Lock    | 13             | 5                                     | -             | 120   | -                   | -             | 90    | -                   | 122                              | 8212A560       | 11      | 10  |
| 1   | 1                 | Turn & Lock / Turn & Lock   | 13             | 5                                     | -             | 120   | -                   | -             | 90    | -                   | 122                              | K212A562       | 11      | 10  |
| 1   | 1                 | Turn & Lock / Solvent bond  | 13             | 5                                     | -             | 120   | -                   | -             | 90    | -                   | 122*                             | K212A564       | 11      | 10  |
| 1   | 1                 | Solvent bond / Solvent bond | 13             | 5                                     | -             | 120   | -                   | -             | 90    | -                   | 122*                             | W212A566       | 11      | 10  |

① Prevent from freezing. \*Limitation on fluid temperature for PVC tubing for NSF 61-G is 73°F and for NSF 372 is 122°F

## Specifications (Metric units)

| Pipe Size (in)   | Orifice Size (mm) | FasN End Connections System | Kv Flow Factor (m <sup>3</sup> /hr) | Operating Pressure Differential (bar) |               |       |                     |               |       |                     | Max. Fluid Temp. °C<br>① | Catalog Number | Wattage |     |
|--|-------------------|-----------------------------|-------------------------------------|---------------------------------------|---------------|-------|---------------------|---------------|-------|---------------------|--------------------------|----------------|---------|-----|
|  |                   |                             |                                     | Min                                   | Max. AC       |       |                     | Max. DC       |       |                     |                          |                | AC      | DC  |
|  |                   |                             |                                     |                                       | Air-Inert Gas | Water | Light Oil @ 300 SSU | Air-Inert Gas | Water | Light Oil @ 300 SSU |                          |                |         |     |
| <b>DRINKING WATER VERSION: NSF 61 ANNEX G, 169, 42</b> |                   |                             |                                     |                                       |               |       |                     |               |       |                     |                          |                |         |     |
| <b>General Service - Normally Closed</b>               |                   |                             |                                     |                                       |               |       |                     |               |       |                     |                          |                |         |     |
| 3/8  | 15.9              | NPT thread / NPT thread     | 2.6                                 | 0.3                                   | -             | 10.3  | -                   | -             | 10.3  | -                   | 82                       | 8212A001       | 6.3     | 6.9 |
| 3/8  | 15.9              | NPT thread / Solvent Bond   | 2.6                                 | 0.3                                   | -             | 10.3  | -                   | -             | 10.3  | -                   | 22.7*                    | 8212A003       | 6.3     | 6.9 |
| 3/8  | 15.9              | NPT thread / Turn & Lock    | 2.6                                 | 0.3                                   | -             | 10.3  | -                   | -             | 10.3  | -                   | 82                       | 8212A005       | 6.3     | 6.9 |
| 3/8  | 15.9              | Turn & Lock / Turn & Lock   | 2.6                                 | 0.3                                   | -             | 10.3  | -                   | -             | 10.3  | -                   | 82                       | K212A007       | 6.3     | 6.9 |
| 3/8  | 15.9              | Turn & Lock / Solvent bond  | 2.6                                 | 0.3                                   | -             | 10.3  | -                   | -             | 10.3  | -                   | 22.7*                    | K212A009       | 6.3     | 6.9 |
| 3/8  | 15.9              | Solvent bond / Solvent bond | 2.6                                 | 0.3                                   | -             | 10.3  | -                   | -             | 10.3  | -                   | 22.7*                    | W212A011       | 6.3     | 6.9 |
| 1/2  | 19                | NPT thread / NPT thread     | 3.9                                 | 0.3                                   | -             | 10.3  | -                   | -             | 10.3  | -                   | 82                       | 8212A019       | 6.3     | 6.9 |
| 1/2  | 19                | NPT thread / Solvent Bond   | 3.9                                 | 0.3                                   | -             | 10.3  | -                   | -             | 10.3  | -                   | 22.7*                    | 8212A021       | 6.3     | 6.9 |
| 1/2  | 3/4               | NPT thread / Turn & Lock    | 3.9                                 | 0.3                                   | -             | 10.3  | -                   | -             | 10.3  | -                   | 82                       | 8212A023       | 6.3     | 6.9 |
| 1/2  | 3/4               | Turn & Lock / Turn & Lock   | 3.9                                 | 0.3                                   | -             | 10.3  | -                   | -             | 10.3  | -                   | 82                       | K212A025       | 6.3     | 6.9 |
| 1/2  | 3/4               | Turn & Lock / Solvent bond  | 3.9                                 | 0.3                                   | -             | 10.3  | -                   | -             | 10.3  | -                   | 22.7*                    | K212A027       | 6.3     | 6.9 |
| 1/2  | 3/4               | Solvent bond / Solvent bond | 3.9                                 | 0.3                                   | -             | 10.3  | -                   | -             | 10.3  | -                   | 22.7*                    | W212A029       | 6.3     | 6.9 |
| 3/4  | 3/4               | NPT thread / NPT thread     | 6.1                                 | 0.3                                   | -             | 10.3  | -                   | -             | 10.3  | -                   | 82                       | 8212A037       | 6.3     | 6.9 |
| 3/4  | 3/4               | NPT thread / Solvent Bond   | 6.1                                 | 0.3                                   | -             | 10.3  | -                   | -             | 10.3  | -                   | 22.7*                    | 8212A039       | 6.3     | 6.9 |
| 3/4  | 3/4               | NPT thread / Turn & Lock    | 6.1                                 | 0.3                                   | -             | 10.3  | -                   | -             | 10.3  | -                   | 82                       | 8212A041       | 6.3     | 6.9 |
| 3/4  | 3/4               | Turn & Lock / Turn & Lock   | 6.1                                 | 0.3                                   | -             | 10.3  | -                   | -             | 10.3  | -                   | 82                       | K212A043       | 6.3     | 6.9 |
| 3/4  | 3/4               | Turn & Lock / Solvent bond  | 6.1                                 | 0.3                                   | -             | 10.3  | -                   | -             | 10.3  | -                   | 22.7*                    | K212A045       | 6.3     | 6.9 |
| 3/4  | 3/4               | Solvent bond / Solvent bond | 6.1                                 | 0.3                                   | -             | 10.3  | -                   | -             | 10.3  | -                   | 22.7*                    | W212A047       | 6.3     | 6.9 |
| 1  | 25.4              | NPT thread / NPT thread     | 11.2                                | 0.3                                   | -             | 10.3  | -                   | -             | 10.3  | -                   | 82                       | 8212A055       | 6.3     | 6.9 |
| 1  | 1                 | NPT thread / Solvent Bond   | 11.2                                | 0.3                                   | -             | 10.3  | -                   | -             | 10.3  | -                   | 22.7*                    | 8212A057       | 6.3     | 6.9 |
| 1  | 1                 | NPT thread / Turn & Lock    | 11.2                                | 0.3                                   | -             | 10.3  | -                   | -             | 10.3  | -                   | 82                       | 8212A059       | 6.3     | 6.9 |
| 1  | 1                 | Turn & Lock / Turn & Lock   | 11.2                                | 0.3                                   | -             | 10.3  | -                   | -             | 10.3  | -                   | 82                       | K212A061       | 6.3     | 6.9 |
| 1  | 1                 | Turn & Lock / Solvent bond  | 11.2                                | 0.3                                   | -             | 10.3  | -                   | -             | 10.3  | -                   | 22.7*                    | K212A063       | 6.3     | 6.9 |
| 1  | 1                 | Solvent bond / Solvent bond | 11.2                                | 0.3                                   | -             | 10.3  | -                   | -             | 10.3  | -                   | 22.7*                    | W212A065       | 6.3     | 6.9 |
| <b>General Service - Normally Open</b>                 |                   |                             |                                     |                                       |               |       |                     |               |       |                     |                          |                |         |     |
| 3/8  | 3/8               | NPT thread / NPT thread     | 2.6                                 | 0.3                                   | -             | 8.3   | -                   | -             | 6.2   | -                   | 82                       | 8212A002       | 11      | 10  |
| 3/8  | 3/8               | NPT thread / Solvent Bond   | 2.6                                 | 0.3                                   | -             | 8.3   | -                   | -             | 6.2   | -                   | 22.7*                    | 8212A004       | 11      | 10  |
| 3/8  | 3/8               | NPT thread / Turn & Lock    | 2.6                                 | 0.3                                   | -             | 8.3   | -                   | -             | 6.2   | -                   | 82                       | 8212A006       | 11      | 10  |
| 3/8  | 3/8               | Turn & Lock / Turn & Lock   | 2.6                                 | 0.3                                   | -             | 8.3   | -                   | -             | 6.2   | -                   | 82                       | K212A008       | 11      | 10  |
| 3/8  | 3/8               | Turn & Lock / Solvent bond  | 2.6                                 | 0.3                                   | -             | 8.3   | -                   | -             | 6.2   | -                   | 22.7*                    | K212A010       | 11      | 10  |
| 3/8  | 3/8               | Solvent bond / Solvent bond | 2.6                                 | 0.3                                   | -             | 8.3   | -                   | -             | 6.2   | -                   | 22.7*                    | W212A012       | 11      | 10  |
| 1/2  | 3/4               | NPT thread / NPT thread     | 3.9                                 | 0.3                                   | -             | 8.3   | -                   | -             | 6.2   | -                   | 82                       | 8212A020       | 11      | 10  |
| 1/2  | 3/4               | NPT thread / Solvent Bond   | 3.9                                 | 0.3                                   | -             | 8.3   | -                   | -             | 6.2   | -                   | 22.7*                    | 8212A022       | 11      | 10  |
| 1/2  | 3/4               | NPT thread / Turn & Lock    | 3.9                                 | 0.3                                   | -             | 8.3   | -                   | -             | 6.2   | -                   | 82                       | 8212A024       | 11      | 10  |
| 1/2  | 3/4               | Turn & Lock / Turn & Lock   | 3.9                                 | 0.3                                   | -             | 8.3   | -                   | -             | 6.2   | -                   | 82                       | K212A026       | 11      | 10  |
| 1/2  | 3/4               | Turn & Lock / Solvent bond  | 3.9                                 | 0.3                                   | -             | 8.3   | -                   | -             | 6.2   | -                   | 22.7*                    | K212A028       | 11      | 10  |
| 1/2  | 3/4               | Solvent bond / Solvent bond | 3.9                                 | 0.3                                   | -             | 8.3   | -                   | -             | 6.2   | -                   | 22.7*                    | W212A030       | 11      | 10  |
| 3/4  | 3/4               | NPT thread / NPT thread     | 6.1                                 | 0.3                                   | -             | 8.3   | -                   | -             | 6.2   | -                   | 82                       | 8212A038       | 11      | 10  |
| 3/4  | 3/4               | NPT thread / Solvent Bond   | 6.1                                 | 0.3                                   | -             | 8.3   | -                   | -             | 6.2   | -                   | 22.7*                    | 8212A040       | 11      | 10  |
| 3/4  | 3/4               | NPT thread / Turn & Lock    | 6.1                                 | 0.3                                   | -             | 8.3   | -                   | -             | 6.2   | -                   | 82                       | 8212A042       | 11      | 10  |
| 3/4  | 3/4               | Turn & Lock / Turn & Lock   | 6.1                                 | 0.3                                   | -             | 8.3   | -                   | -             | 6.2   | -                   | 82                       | K212A044       | 11      | 10  |
| 3/4  | 3/4               | Turn & Lock / Solvent bond  | 6.1                                 | 0.3                                   | -             | 8.3   | -                   | -             | 6.2   | -                   | 22.7*                    | K212A046       | 11      | 10  |
| 3/4  | 3/4               | Solvent bond / Solvent bond | 6.1                                 | 0.3                                   | -             | 8.3   | -                   | -             | 6.2   | -                   | 22.7*                    | W212A048       | 11      | 10  |
| 1  | 1                 | NPT thread / NPT thread     | 11.2                                | 0.3                                   | -             | 8.3   | -                   | -             | 6.2   | -                   | 50                       | 8212A056       | 11      | 10  |
| 1  | 1                 | NPT thread / Solvent Bond   | 11.2                                | 0.3                                   | -             | 8.3   | -                   | -             | 6.2   | -                   | 22.7*                    | 8212A058       | 11      | 10  |
| 1  | 1                 | NPT thread / Turn & Lock    | 11.2                                | 0.3                                   | -             | 8.3   | -                   | -             | 6.2   | -                   | 50                       | 8212A060       | 11      | 10  |
| 1  | 1                 | Turn & Lock / Turn & Lock   | 11.2                                | 0.3                                   | -             | 8.3   | -                   | -             | 6.2   | -                   | 50                       | K212A062       | 11      | 10  |
| 1  | 1                 | Turn & Lock / Solvent bond  | 11.2                                | 0.3                                   | -             | 8.3   | -                   | -             | 6.2   | -                   | 22.7*                    | K212A064       | 11      | 10  |
| 1  | 1                 | Solvent bond / Solvent bond | 11.2                                | 0.3                                   | -             | 8.3   | -                   | -             | 6.2   | -                   | 22.7*                    | W212A066       | 11      | 10  |

① Prevent from freezing. \*Limitation on fluid temperature for PVC tubing for NSF 61-G is 22.7°C and for NSF 372 is 50°C

### Specifications (Metric units)

| Pipe Size (in)  | Orifice Size (mm) | FasN<br>End Connections System | Kv Flow Factor (m <sup>3</sup> /hr) | Operating Pressure Differential (bar) |               |       |                     |               |       |                     | Max. Fluid Temp. °C<br>① | Catalog Number | Wattage |     |
|---|-------------------|--------------------------------|-------------------------------------|---------------------------------------|---------------|-------|---------------------|---------------|-------|---------------------|--------------------------|----------------|---------|-----|
|   |                   |                                |                                     | Min                                   | Max. AC       |       |                     | Max. DC       |       |                     |                          |                | AC      | DC  |
|   |                   |                                |                                     |                                       | Air-Inert Gas | Water | Light Oil @ 300 SSU | Air-Inert Gas | Water | Light Oil @ 300 SSU |                          |                |         |     |
| <b>LEAD FREE VERSION - NSF 372 Lead content certification</b> |                   |                                |                                     |                                       |               |       |                     |               |       |                     |                          |                |         |     |
| <b>General Service - Normally Closed</b>                      |                   |                                |                                     |                                       |               |       |                     |               |       |                     |                          |                |         |     |
| 3/8   | 5/8               | NPT thread / NPT thread        | 2.6                                 | 0.3                                   | -             | 10.3  | -                   | -             | 10.3  | -                   | 82                       | 8212A501       | 6.3     | 6.9 |
| 3/8   | 5/8               | NPT thread / Solvent Bond      | 2.6                                 | 0.3                                   | -             | 10.3  | -                   | -             | 10.3  | -                   | 50*                      | 8212A503       | 6.3     | 6.9 |
| 3/8   | 5/8               | NPT thread / Turn & Lock       | 2.6                                 | 0.3                                   | -             | 10.3  | -                   | -             | 10.3  | -                   | 82                       | 8212A505       | 6.3     | 6.9 |
| 3/8   | 5/8               | Turn & Lock / Turn & Lock      | 2.6                                 | 0.3                                   | -             | 10.3  | -                   | -             | 10.3  | -                   | 82                       | K212A507       | 6.3     | 6.9 |
| 3/8   | 5/8               | Turn & Lock / Solvent bond     | 2.6                                 | 0.3                                   | -             | 10.3  | -                   | -             | 10.3  | -                   | 50*                      | K212A509       | 6.3     | 6.9 |
| 3/8   | 5/8               | Solvent bond / Solvent bond    | 2.6                                 | 0.3                                   | -             | 10.3  | -                   | -             | 10.3  | -                   | 50*                      | W212A511       | 6.3     | 6.9 |
| 1/2   | 3/4               | NPT thread / NPT thread        | 3.9                                 | 0.3                                   | -             | 10.3  | -                   | -             | 10.3  | -                   | 82                       | 8212A519       | 6.3     | 6.9 |
| 1/2   | 3/4               | NPT thread / Solvent Bond      | 3.9                                 | 0.3                                   | -             | 10.3  | -                   | -             | 10.3  | -                   | 50*                      | 8212A521       | 6.3     | 6.9 |
| 1/2   | 3/4               | NPT thread / Turn & Lock       | 3.9                                 | 0.3                                   | -             | 10.3  | -                   | -             | 10.3  | -                   | 82                       | 8212A523       | 6.3     | 6.9 |
| 1/2   | 3/4               | Turn & Lock / Turn & Lock      | 3.9                                 | 0.3                                   | -             | 10.3  | -                   | -             | 10.3  | -                   | 82                       | K212A525       | 6.3     | 6.9 |
| 1/2   | 3/4               | Turn & Lock / Solvent bond     | 3.9                                 | 0.3                                   | -             | 10.3  | -                   | -             | 10.3  | -                   | 50*                      | K212A527       | 6.3     | 6.9 |
| 1/2   | 3/4               | Solvent bond / Solvent bond    | 3.9                                 | 0.3                                   | -             | 10.3  | -                   | -             | 10.3  | -                   | 50*                      | W212A529       | 6.3     | 6.9 |
| 3/4   | 3/4               | NPT thread / NPT thread        | 6.1                                 | 0.3                                   | -             | 10.3  | -                   | -             | 10.3  | -                   | 82                       | 8212A537       | 6.3     | 6.9 |
| 3/4   | 3/4               | NPT thread / Solvent Bond      | 6.1                                 | 0.3                                   | -             | 10.3  | -                   | -             | 10.3  | -                   | 50*                      | 8212A539       | 6.3     | 6.9 |
| 3/4   | 3/4               | NPT thread / Turn & Lock       | 6.1                                 | 0.3                                   | -             | 10.3  | -                   | -             | 10.3  | -                   | 82                       | 8212A541       | 6.3     | 6.9 |
| 3/4   | 3/4               | Turn & Lock / Turn & Lock      | 6.1                                 | 0.3                                   | -             | 10.3  | -                   | -             | 10.3  | -                   | 82                       | K212A543       | 6.3     | 6.9 |
| 3/4   | 3/4               | Turn & Lock / Solvent bond     | 6.1                                 | 0.3                                   | -             | 10.3  | -                   | -             | 10.3  | -                   | 50*                      | K212A545       | 6.3     | 6.9 |
| 3/4   | 3/4               | Solvent bond / Solvent bond    | 6.1                                 | 0.3                                   | -             | 10.3  | -                   | -             | 10.3  | -                   | 50*                      | W212A547       | 6.3     | 6.9 |
| 1   | 1                 | NPT thread / NPT thread        | 11.2                                | 0.3                                   | -             | 10.3  | -                   | -             | 10.3  | -                   | 82                       | 8212A555       | 6.3     | 6.9 |
| 1   | 1                 | NPT thread / Solvent Bond      | 11.2                                | 0.3                                   | -             | 10.3  | -                   | -             | 10.3  | -                   | 50*                      | 8212A557       | 6.3     | 6.9 |
| 1   | 1                 | NPT thread / Turn & Lock       | 11.2                                | 0.3                                   | -             | 10.3  | -                   | -             | 10.3  | -                   | 82                       | 8212A559       | 6.3     | 6.9 |
| 1   | 1                 | Turn & Lock / Turn & Lock      | 11.2                                | 0.3                                   | -             | 10.3  | -                   | -             | 10.3  | -                   | 82                       | K212A561       | 6.3     | 6.9 |
| 1   | 1                 | Turn & Lock / Solvent bond     | 11.2                                | 0.3                                   | -             | 10.3  | -                   | -             | 10.3  | -                   | 50*                      | K212A563       | 6.3     | 6.9 |
| 1   | 1                 | Solvent bond / Solvent bond    | 11.2                                | 0.3                                   | -             | 10.3  | -                   | -             | 10.3  | -                   | 50*                      | W212A565       | 6.3     | 6.9 |
| <b>General Service - Normally Open</b>                        |                   |                                |                                     |                                       |               |       |                     |               |       |                     |                          |                |         |     |
| 3/8   | 5/8               | NPT thread / NPT thread        | 2.6                                 | 0.3                                   | -             | 8.3   | -                   | -             | 6.2   | -                   | 82                       | 8212A502       | 11      | 10  |
| 3/8   | 5/8               | NPT thread / Solvent Bond      | 2.6                                 | 0.3                                   | -             | 8.3   | -                   | -             | 6.2   | -                   | 50*                      | 8212A504       | 11      | 10  |
| 3/8   | 5/8               | NPT thread / Turn & Lock       | 2.6                                 | 0.3                                   | -             | 8.3   | -                   | -             | 6.2   | -                   | 82                       | 8212A506       | 11      | 10  |
| 3/8   | 5/8               | Turn & Lock / Turn & Lock      | 2.6                                 | 0.3                                   | -             | 8.3   | -                   | -             | 6.2   | -                   | 82                       | K212A508       | 11      | 10  |
| 3/8   | 5/8               | Turn & Lock / Solvent bond     | 2.6                                 | 0.3                                   | -             | 8.3   | -                   | -             | 6.2   | -                   | 50*                      | K212A510       | 11      | 10  |
| 3/8   | 5/8               | Solvent bond / Solvent bond    | 2.6                                 | 0.3                                   | -             | 8.3   | -                   | -             | 6.2   | -                   | 50*                      | W212A512       | 11      | 10  |
| 1/2   | 3/4               | NPT thread / NPT thread        | 3.9                                 | 0.3                                   | -             | 8.3   | -                   | -             | 6.2   | -                   | 82                       | 8212A520       | 11      | 10  |
| 1/2   | 3/4               | NPT thread / Solvent Bond      | 3.9                                 | 0.3                                   | -             | 8.3   | -                   | -             | 6.2   | -                   | 50*                      | 8212A522       | 11      | 10  |
| 1/2   | 3/4               | NPT thread / Turn & Lock       | 3.9                                 | 0.3                                   | -             | 8.3   | -                   | -             | 6.2   | -                   | 82                       | 8212A524       | 11      | 10  |
| 1/2   | 3/4               | Turn & Lock / Turn & Lock      | 3.9                                 | 0.3                                   | -             | 8.3   | -                   | -             | 6.2   | -                   | 82                       | K212A526       | 11      | 10  |
| 1/2   | 3/4               | Turn & Lock / Solvent bond     | 3.9                                 | 0.3                                   | -             | 8.3   | -                   | -             | 6.2   | -                   | 50*                      | K212A528       | 11      | 10  |
| 1/2   | 3/4               | Solvent bond / Solvent bond    | 3.9                                 | 0.3                                   | -             | 8.3   | -                   | -             | 6.2   | -                   | 50*                      | W212A530       | 11      | 10  |
| 3/4   | 3/4               | NPT thread / NPT thread        | 6.1                                 | 0.3                                   | -             | 8.3   | -                   | -             | 6.2   | -                   | 82                       | 8212A538       | 11      | 10  |
| 3/4   | 3/4               | NPT thread / Solvent Bond      | 6.1                                 | 0.3                                   | -             | 8.3   | -                   | -             | 6.2   | -                   | 50*                      | 8212A540       | 11      | 10  |
| 3/4   | 3/4               | NPT thread / Turn & Lock       | 6.1                                 | 0.3                                   | -             | 8.3   | -                   | -             | 6.2   | -                   | 82                       | 8212A542       | 11      | 10  |
| 3/4   | 3/4               | Turn & Lock / Turn & Lock      | 6.1                                 | 0.3                                   | -             | 8.3   | -                   | -             | 6.2   | -                   | 82                       | K212A544       | 11      | 10  |
| 3/4   | 3/4               | Turn & Lock / Solvent bond     | 6.1                                 | 0.3                                   | -             | 8.3   | -                   | -             | 6.2   | -                   | 50*                      | K212A546       | 11      | 10  |
| 3/4   | 3/4               | Solvent bond / Solvent bond    | 6.1                                 | 0.3                                   | -             | 8.3   | -                   | -             | 6.2   | -                   | 50*                      | W212A548       | 11      | 10  |
| 1   | 1                 | NPT thread / NPT thread        | 11.2                                | 0.3                                   | -             | 8.3   | -                   | -             | 6.2   | -                   | 50                       | 8212A556       | 11      | 10  |
| 1   | 1                 | NPT thread / Solvent Bond      | 11.2                                | 0.3                                   | -             | 8.3   | -                   | -             | 6.2   | -                   | 50*                      | 8212A558       | 11      | 10  |
| 1   | 1                 | NPT thread / Turn & Lock       | 11.2                                | 0.3                                   | -             | 8.3   | -                   | -             | 6.2   | -                   | 50                       | 8212A560       | 11      | 10  |
| 1   | 1                 | Turn & Lock / Turn & Lock      | 11.2                                | 0.3                                   | -             | 8.3   | -                   | -             | 6.2   | -                   | 50                       | K212A562       | 11      | 10  |
| 1   | 1                 | Turn & Lock / Solvent bond     | 11.2                                | 0.3                                   | -             | 8.3   | -                   | -             | 6.2   | -                   | 50*                      | K212A564       | 11      | 10  |
| 1   | 1                 | Solvent bond / Solvent bond    | 11.2                                | 0.3                                   | -             | 8.3   | -                   | -             | 6.2   | -                   | 50*                      | W212A566       | 11      | 10  |

① Prevent from freezing. \*Limitation on fluid temperature for PVC tubing for NSF 61-G is 22.7°C and for NSF 372 is 50°C

How to Order

8 2 1 2 A 0 1 9 S 0 1 0 0 F 0

FasN End Connection

|   |              |
|---|--------------|
| 8 | NPT          |
| K | Turn & Lock  |
| W | Solvent Bond |

Valve Designation

Refer to the Specifications Section

Coil Electrical Connection

|    |  |
|----|--|
| S0 | DIN Type coil without connector                    |
| L0 | Leaded coil  |
| L1 | Leaded coil with 1/2" NPT threaded conduit adaptor |

Pressure Vessel Options

|     |                                    |
|-----|------------------------------------|
| 100 | No options                         |
| 200 | Mounting Bracket (stainless steel) |

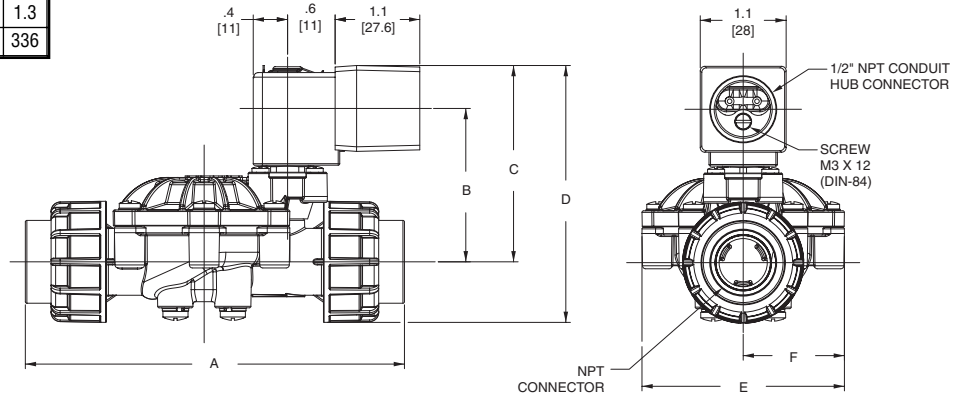
Voltages

|  |                          |
|--|--------------------------|
| AC, for normally closed                        |                          |
| F4   | 24V, 60 Hz               |
| F0   | 120V, 60 Hz; 110V, 50 Hz |
| F6   | 240V, 60 Hz; 220V 50 Hz  |
| AC, for normally open                          |                          |
| F4   | 24V, 60 Hz               |
| F2   | 120V, 60 Hz              |
| FF   | 240V, 60 Hz              |
| DC, for both normally open and normally closed |                          |
| F3   | 12V                      |
| F1   | 24V                      |

Dimensions: inches (mm)

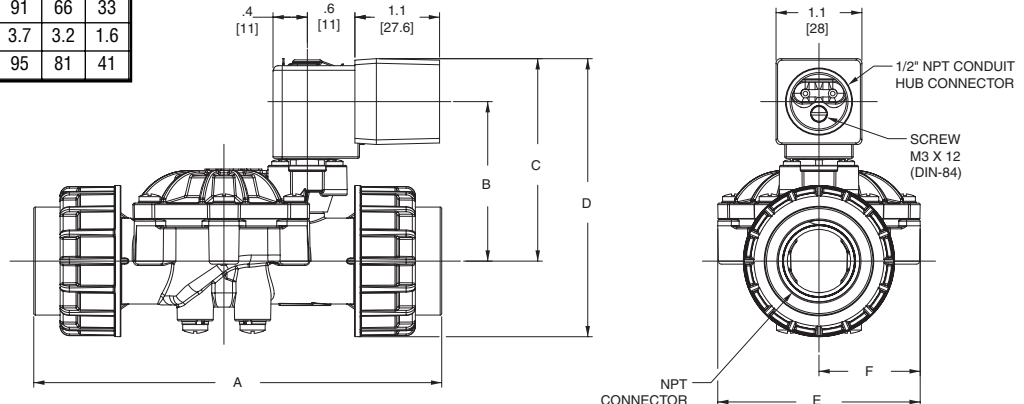
| Pipe Size |    | A   | B   | C   | D   | E   | F   |
|-----------|----|-----|-----|-----|-----|-----|-----|
| 3/8"      | in | 4.6 | 1.9 | 2.4 | 3   | 2.3 | 1.2 |
|           | mm | 117 | 47  | 61  | 75  | 59  | 30  |
| 1/2"      | in | 4.9 | 2   | 2.5 | 3.3 | 2.6 | 1.3 |
|           | mm | 124 | 50  | 64  | 84  | 66  | 33  |

3/8" & 1/2" NPT CONNECTOR  
WITH CONDUIT HUB CONNECTOR



| Pipe Size |    | A   | B   | C   | D   | E   | F   |
|-----------|----|-----|-----|-----|-----|-----|-----|
| 3/4"      | in | 5.2 | 2   | 2.6 | 3.6 | 2.6 | 1.3 |
|           | mm | 133 | 50  | 66  | 91  | 66  | 33  |
| 1"        | in | 6.5 | 2.3 | 2.8 | 3.7 | 3.2 | 1.6 |
|           | mm | 164 | 59  | 71  | 95  | 81  | 41  |

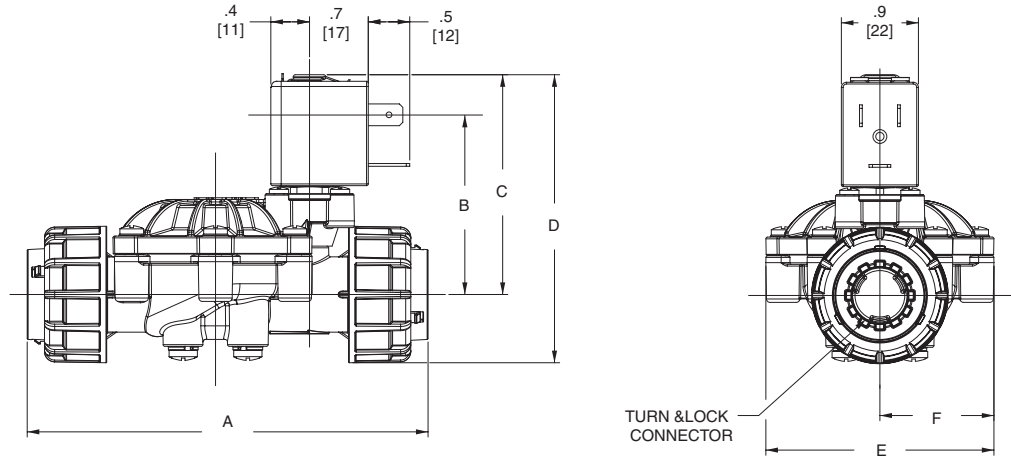
3/4" & 1" NPT CONNECTOR  
WITH CONDUIT HUB CONNECTOR



### Dimensions: inches (mm)

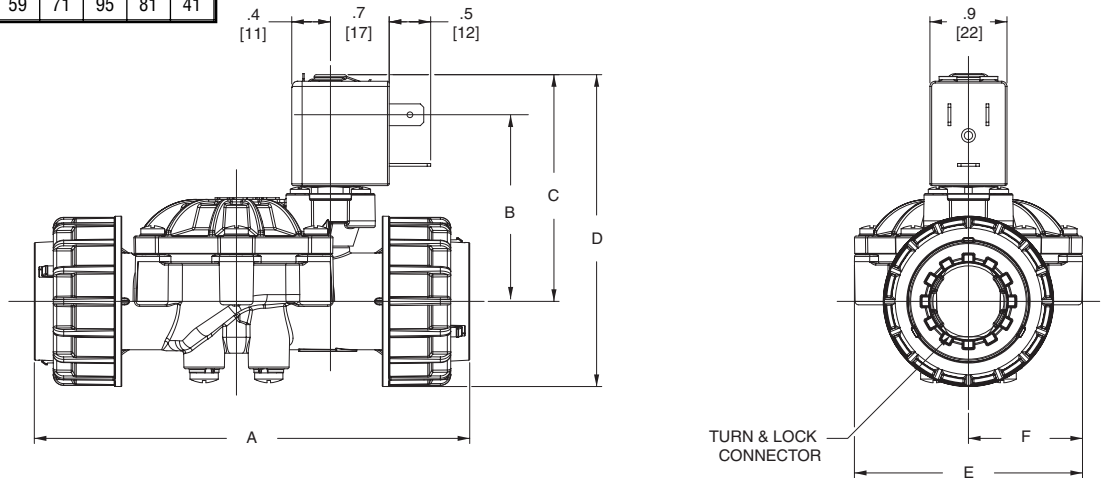
| Pipe Size |    | A   | B   | C   | D   | E   | F   |
|-----------|----|-----|-----|-----|-----|-----|-----|
| 3/8"      | in | 4.3 | 1.9 | 2.4 | 3   | 2.3 | 1.2 |
|           | mm | 110 | 47  | 61  | 75  | 59  | 30  |
| 1/2"      | in | 4.6 | 2   | 2.5 | 3.3 | 2.6 | 1.3 |
|           | mm | 117 | 50  | 64  | 84  | 66  | 33  |

### 3/8" & 1/2" TURN & LOCK CONNECTION WITH DIN CONNECTION



| Pipe Size |    | A   | B   | C   | D   | E   | F   |
|-----------|----|-----|-----|-----|-----|-----|-----|
| 3/4"      | in | 4.8 | 2   | 2.6 | 3.6 | 2.6 | 1.3 |
|           | mm | 121 | 50  | 66  | 91  | 66  | 33  |
| 1"        | in | 6.1 | 2.3 | 2.8 | 3.7 | 3.2 | 1.6 |
|           | mm | 154 | 59  | 71  | 95  | 81  | 41  |

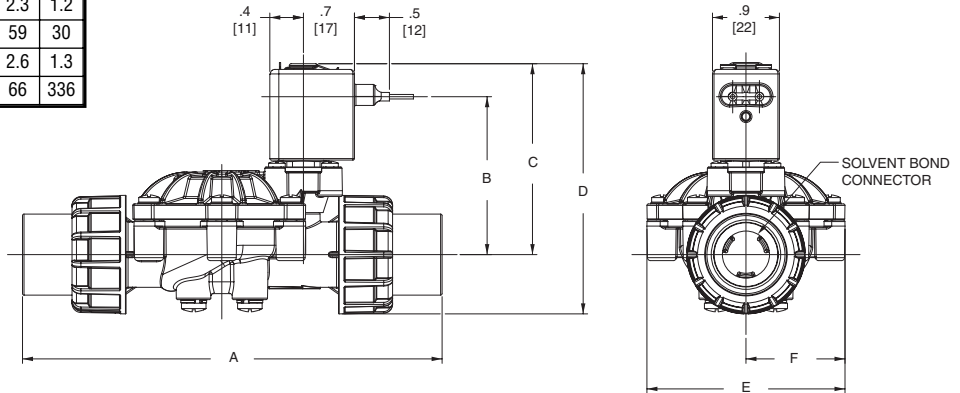
### 3/4" & 1" TURN & LOCK CONNECTION WITH DIN CONNECTION



Dimensions: inches (mm)

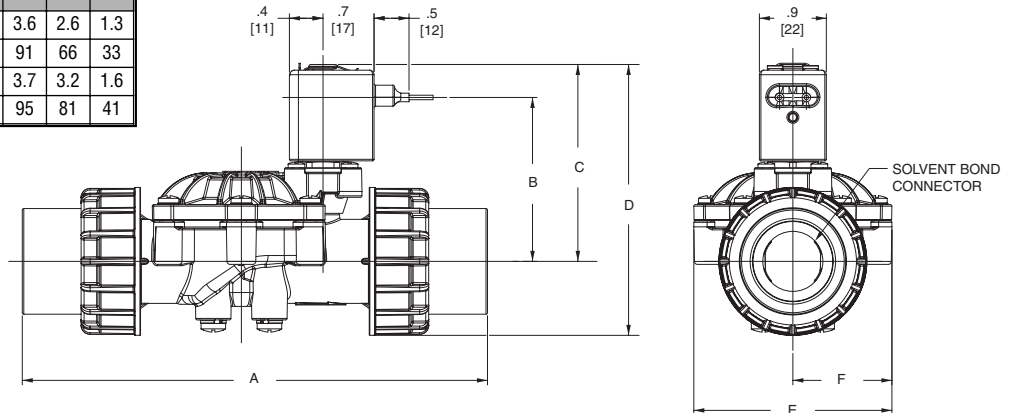
| Pipe Size |    | A   | B   | C   | D   | E   | F   |
|-----------|----|-----|-----|-----|-----|-----|-----|
| 3/8"      | in | 5   | 1.9 | 2.4 | 3   | 2.3 | 1.2 |
|           | mm | 127 | 47  | 61  | 75  | 59  | 30  |
| 1/2"      | in | 5.5 | 2   | 2.5 | 3.3 | 2.6 | 1.3 |
|           | mm | 140 | 50  | 64  | 84  | 66  | 33  |

3/8" & 1/2" SOLVENT BOND CONNECTION  
WITH LEAD WIRE CONNECTION



| Pipe Size |    | A   | B   | C   | D   | E   | F   |
|-----------|----|-----|-----|-----|-----|-----|-----|
| 3/4"      | in | 6.1 | 2   | 2.6 | 3.6 | 2.6 | 1.3 |
|           | mm | 155 | 50  | 66  | 91  | 66  | 33  |
| 1"        | in | 7.3 | 2.3 | 2.8 | 3.7 | 3.2 | 1.6 |
|           | mm | 186 | 59  | 71  | 95  | 81  | 41  |

3/4" & 1" SOLVENT BOND CONNECTION  
WITH LEAD WIRE CONNECTION



| Pipe Size |    | G   | H   | I   | J   |
|-----------|----|-----|-----|-----|-----|
| 3/8"      | in | 1.2 | 0.3 | 0.8 | 1.2 |
|           | mm | 31  | 7   | 2.0 | 31  |
| 1/2"      | in | 1.2 | 0.1 | 0.8 | 1.2 |
|           | mm | 31  | 3   | 2.0 | 31  |
| 3/4"      | in | 1.4 | 0.1 | 1.0 | 1.4 |
|           | mm | 36  | 3   | 26  | 36  |
| 1"        | in | 1.6 | 0.2 | 1.5 | 1.6 |
|           | mm | 41  | 5   | 38  | 41  |

SHOWN WITH OPTIONAL MOUNTING BRACKET  
FOR VALVES WITH ANY END CONNECTOR

